



Industrie - Automobile - Aéronautique



Molds and special tools  
From single tool to global project ...



# Summary



- The Company
- The products
- The means

**CADNUM**  
An Advanced Concept of Digitalisation  
Numerisation Machining and Modelling

**you wish, we can**  
[www.cadnum.com](http://www.cadnum.com)



# The Company





# The Company



## History:



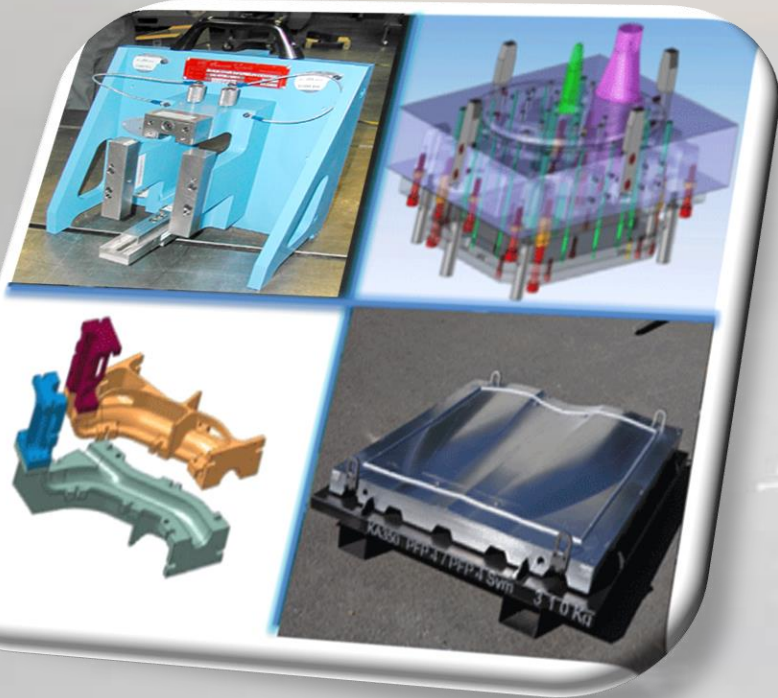
20 Years of Experience at Your Service



- **Key figures :**

**12 people**

- **14 000 hours of machining per year**
- **more than 1000 tools per year**
- **25 sub-contractors in 4 countries**
- **ISO 9001v2008 Certification**

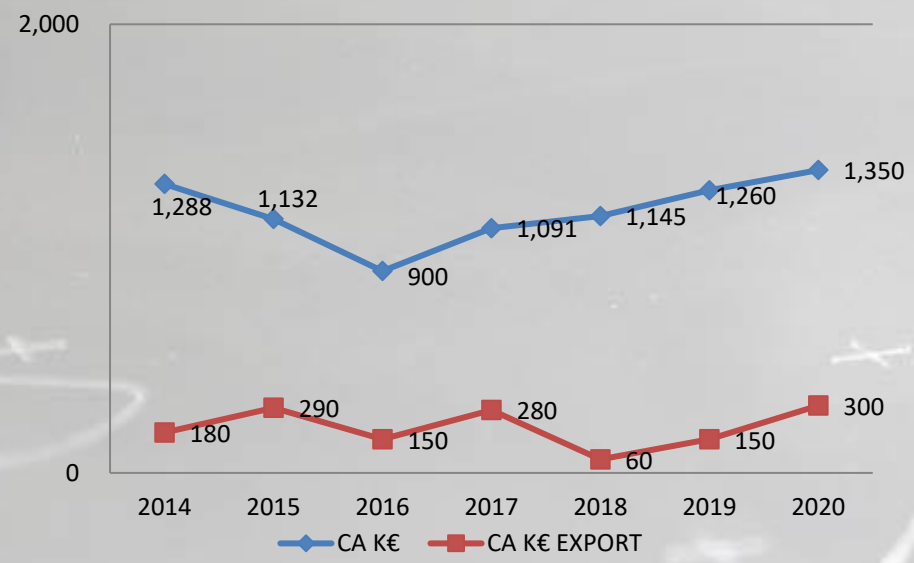




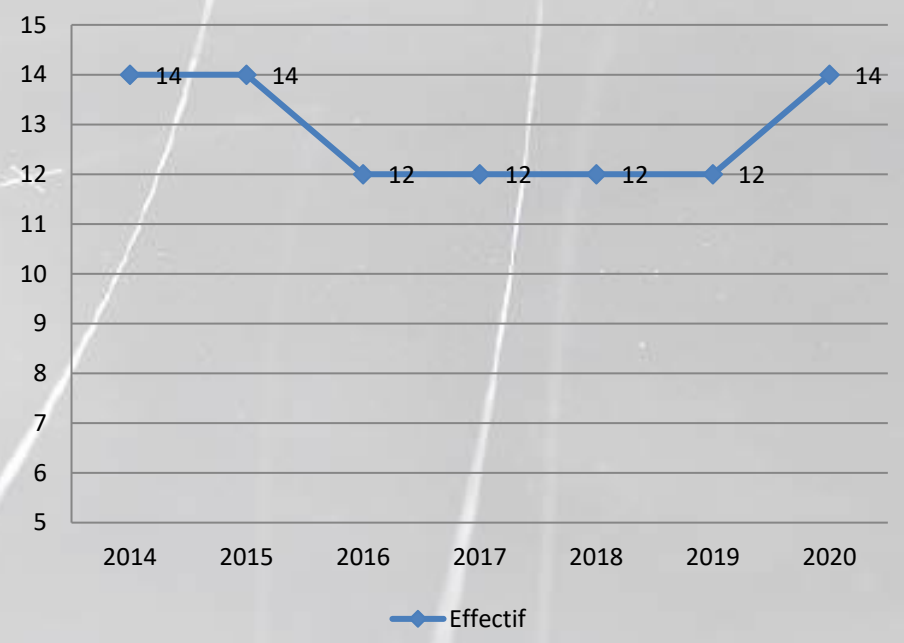
# The Company



### Key Figures

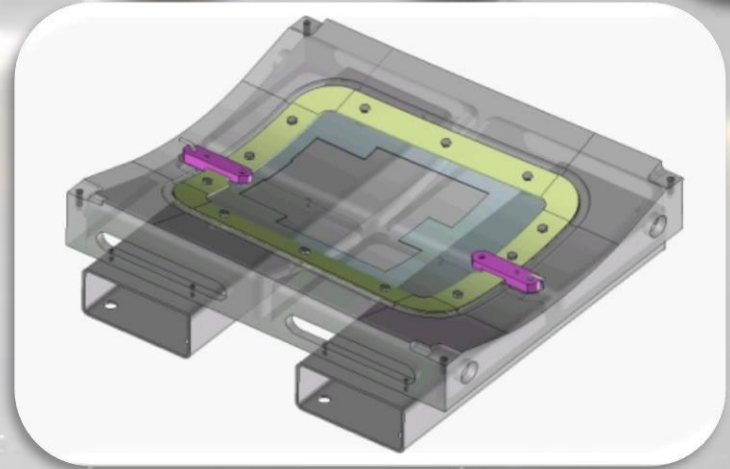


### Number of Employees

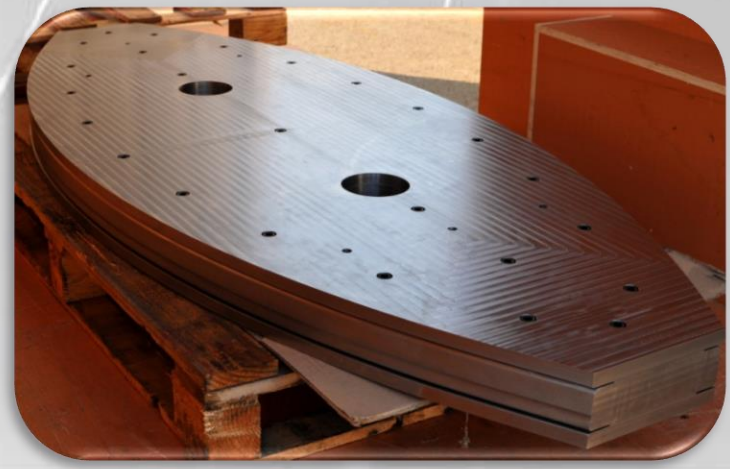
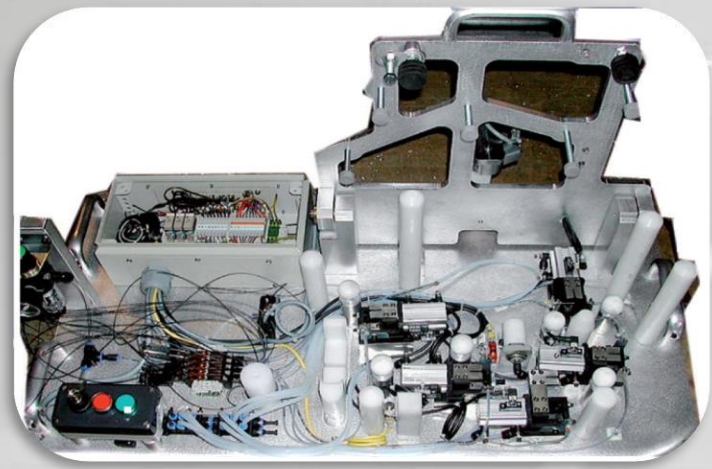




# The products



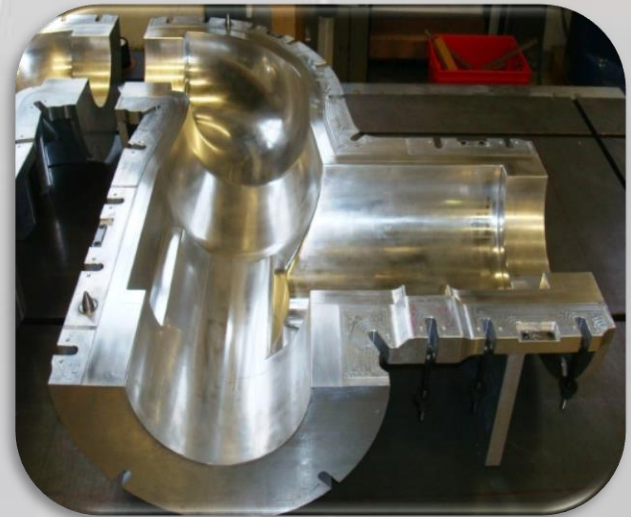
From single tool to global projects ...





### • Tools for the composite industry :

- Lay up molds
- Models and Masters
- RTM molds
  
- Bonding and assembly means
- Control means
- Trimming tools





# Products

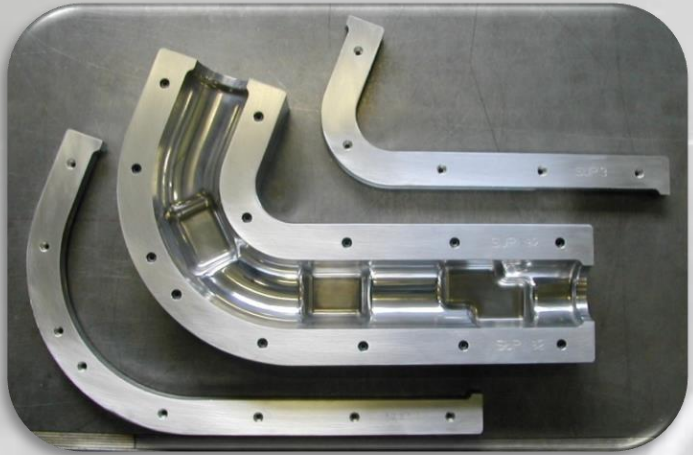
## Aeronautics



Lay-up mold for panel



Male lay-up mold



Lay-up mold for duct

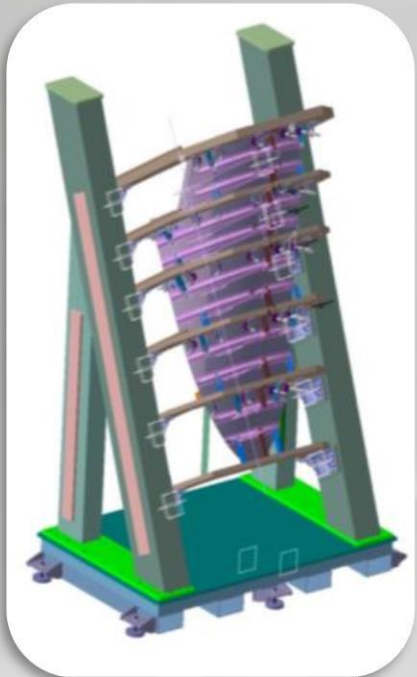


CNC trimming tool



- **Tools for sheet metal working**

- Stamping tools
- Bending tools



- Wending jigs
- Control jigs



- **Integrated R&D Department** : follow-up of the projects through the ERP « MYWORKPLAN »

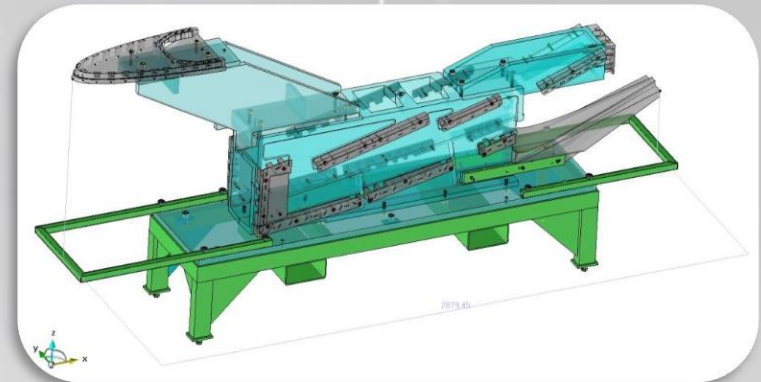
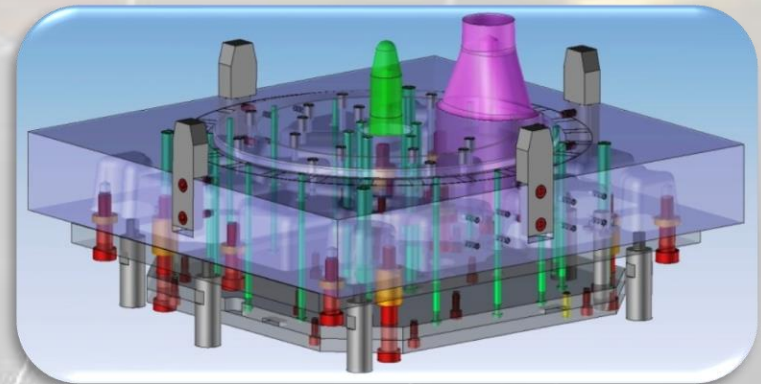
CAD/CAM : 4 people

CAD software :

- CATIA
- MISSLER Topsolid
- SOLIDWORKS in progress

CAM software :

- Work&C
- Goëland





# Internal resources



- **Machining**

- 2 CNC machines 3 axes +1 ( 2600 X 2000 X 850 )
- 1 CNC machine 4 axes ( 660 X 610 X 550 )
- 2 CNC machines 3 axes +1 ( 1200 X 650 X 600 )
- 1 CNC machine 3 axes ( 1400 X 610 X 550 )
- 2 CNC machine 3 axes ( 1000 X 600 X 500 )
- 1 CNC machine 5 axes ( 6000 X 2000 X 1400)
- Various conventional means
- 10 technicians

- **CONTROL**

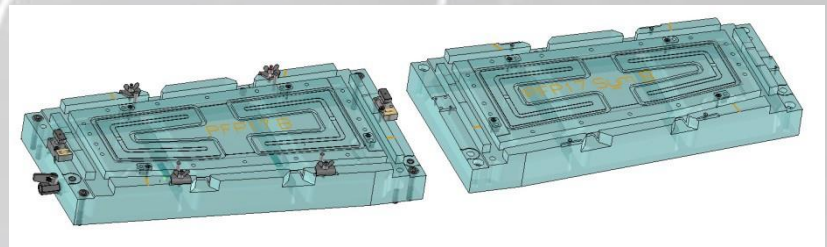
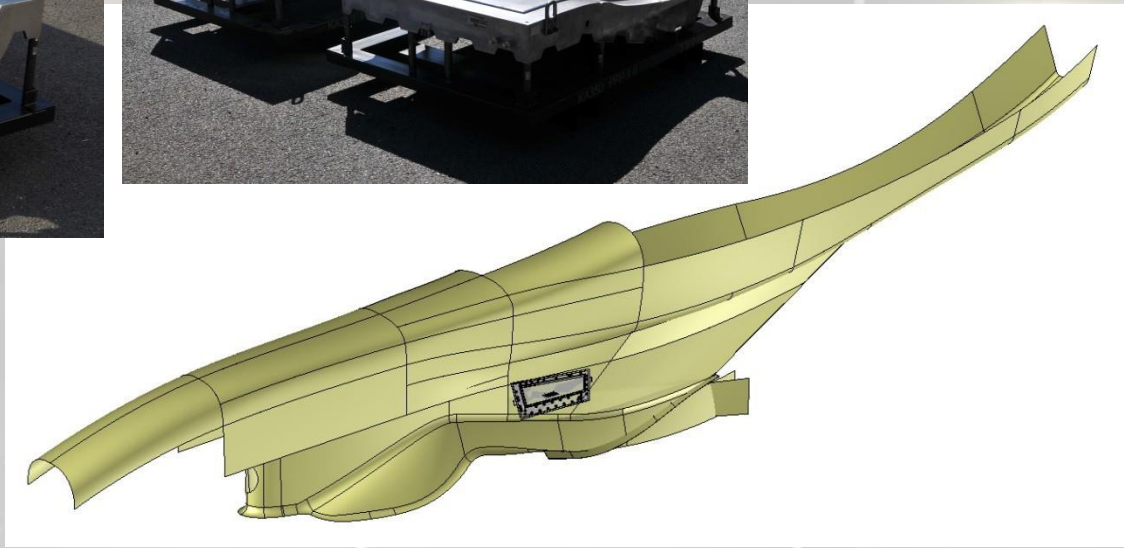
- 1 MMT Stiefelmayer (X 2500 Y 800 Z 1000)

with software control METROLOG X4



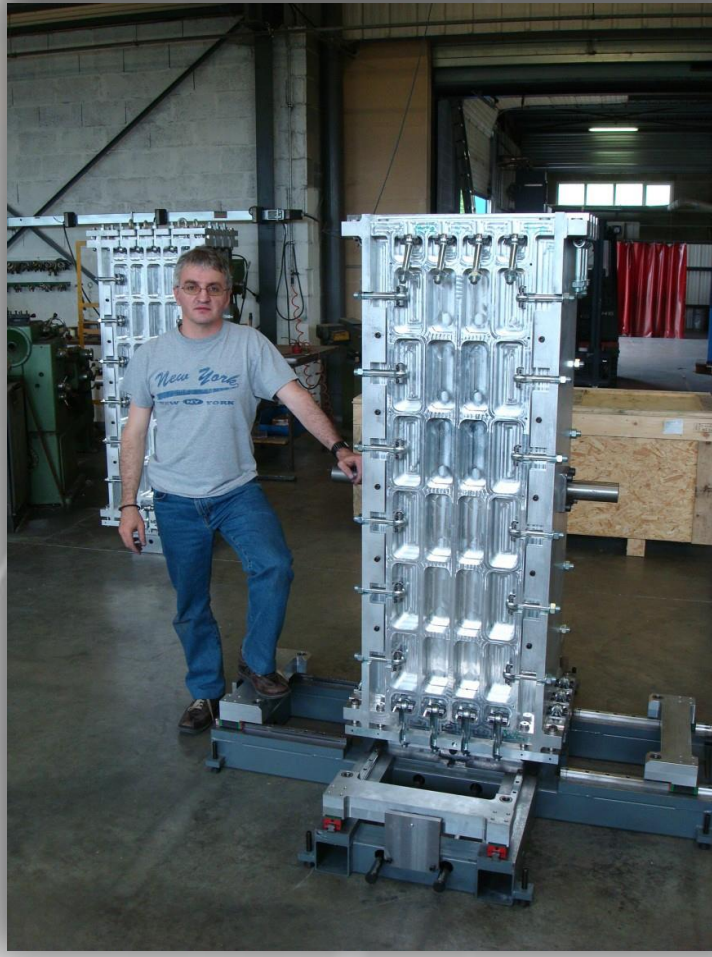


# Examples of our Know-How Molds and special tools



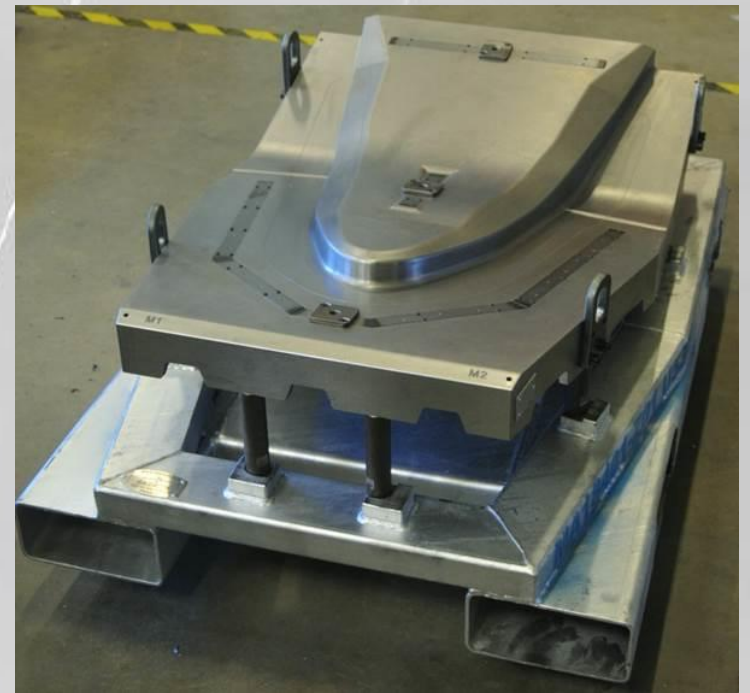


# RTM molds





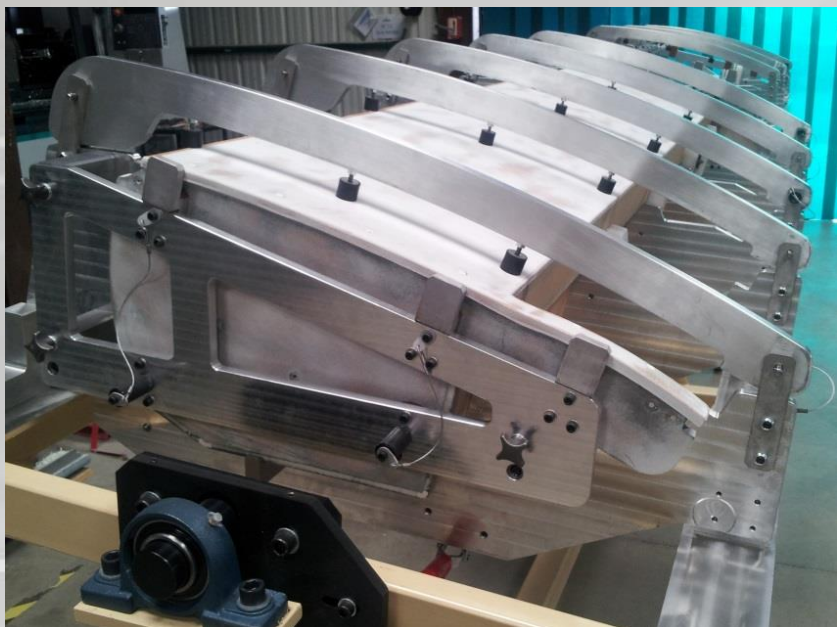
Draping mold  
AIRBUS HELICOPTER X4 (H160)





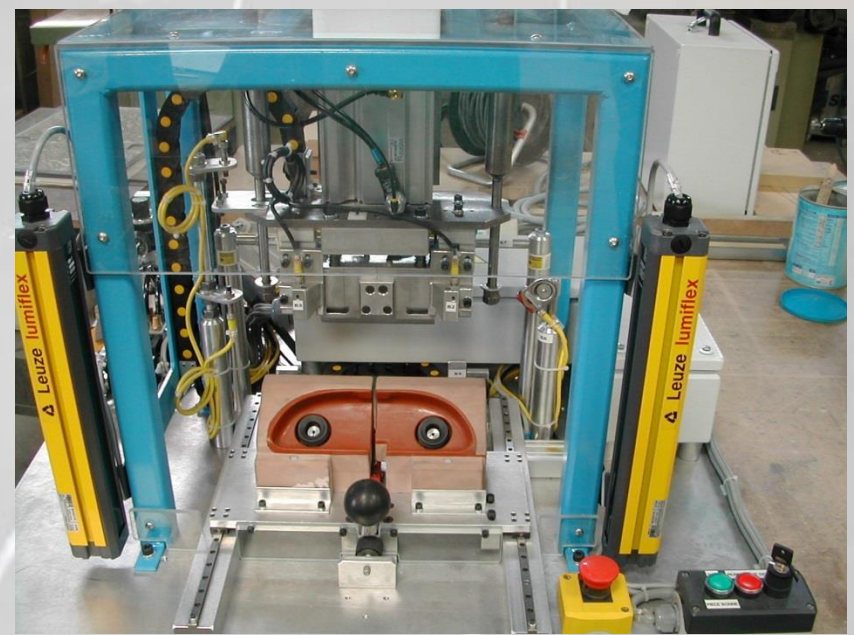


# Assembling and bonding tools - Luggage compartment ATR



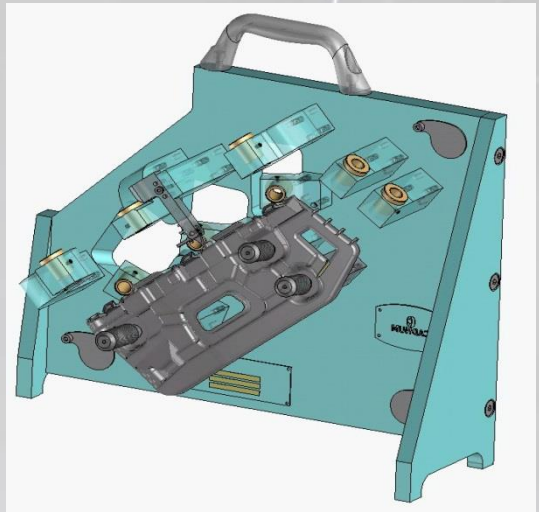
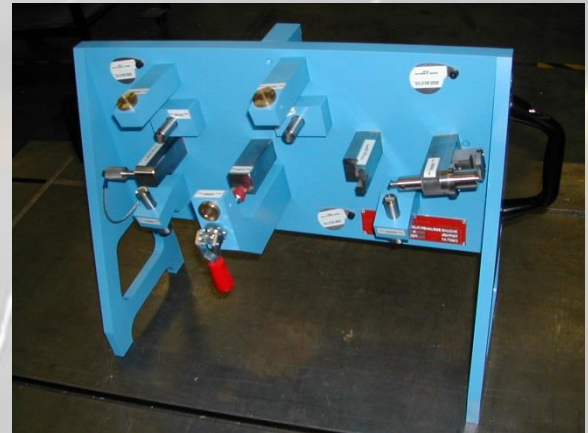


# Automotive Tools: Assembly



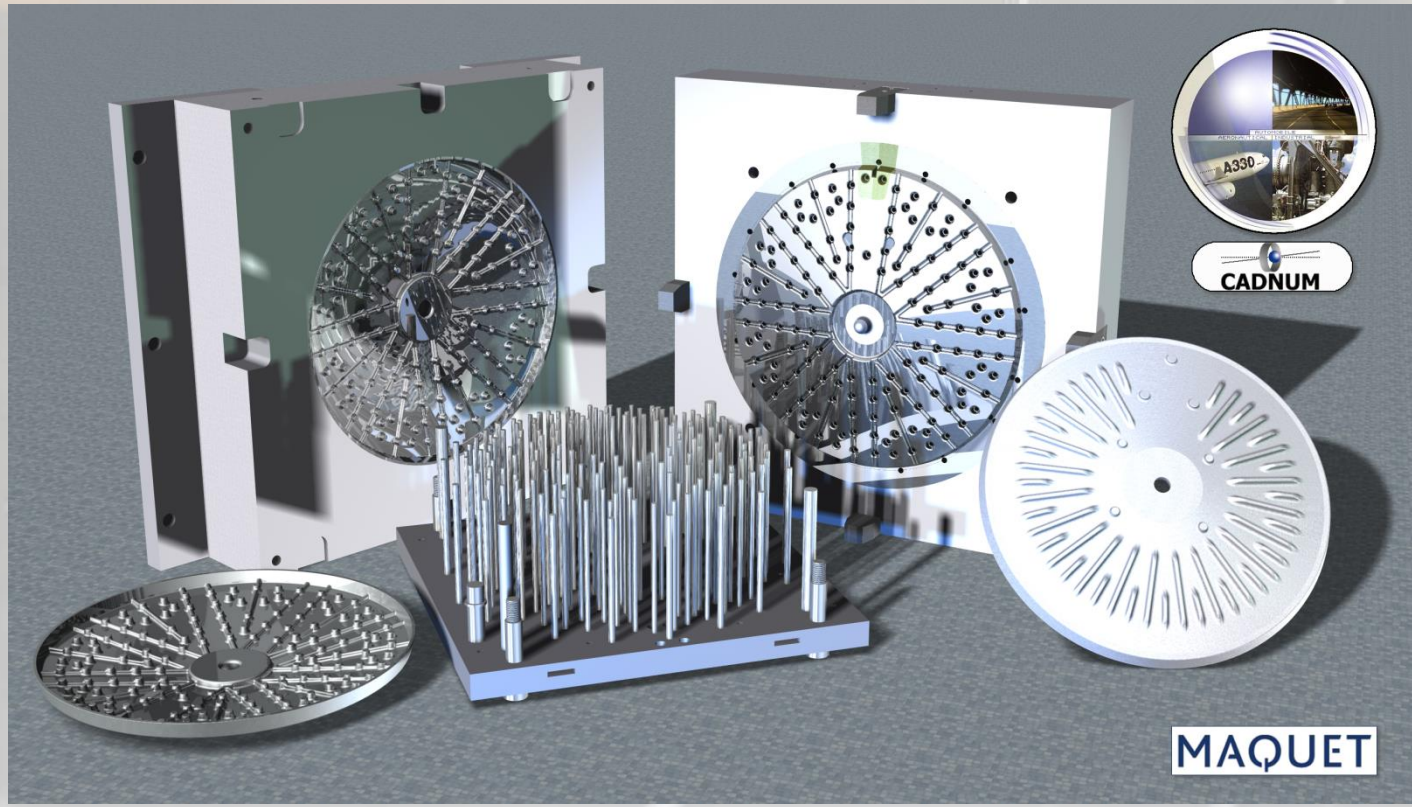


## Automotive Tools: Mounting and MDC





MOLDS: shell / low pressure / injection / SMC / rubber





**Thanks for your attention**

**you wish, we can**

[www.cadnum.com](http://www.cadnum.com)